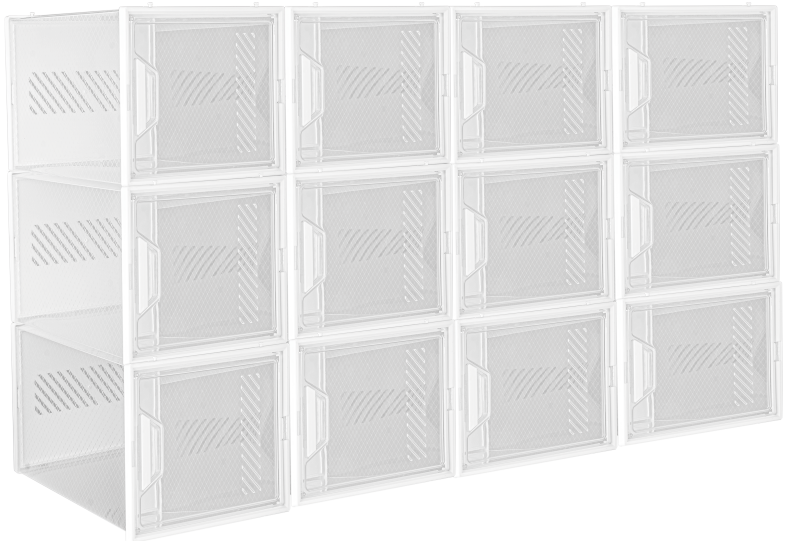




# 12 PACK SHOE STORAGE BOX



SL121

---

Thank you for buying this **12 PACK SHOE STORAGE BOX!**  
Please read this manual carefully before using the product.

---

[www.stelive.com.au](http://www.stelive.com.au)

version 20250107

## GENERAL GUIDELINES

Please read the following tips carefully and use the product correctly.

If you buy the product for others, please keep these tips and send them to the receiver.

In order for you to have a clear and summary preview, we have not described all possible scenarios and installation details that may be involved. If you need more information and help, please contact us.

### Notes

Please check if all the parts are complete and in good condition according to the instructions before installation. If not, please do not set it up, but contact us as soon as possible.

Please keep children away during installation to avoid accidental swallowing of tiny accessories.

Please install and use the product on a solid and flat floor to avoid the risk of safety accidents caused by tipping over.

Please do not fix the screws extra tight, or the parts might be damaged.

Please check and make sure all the parts are installed well after installation finished.

Kids are not allowed to climb on or hang on the product, in case of a life-threatening toppling.

Please do not lean or stay on the product.

Please check regularly if the screws get loose, if yes, please fix them well again to make sure the stability of the product.

Please do not put items overweight, or there might be a risk of serious personal injury or damage to personal belongings due to rollover.

Be sure to unload the items on the shelf before moving.

Wipe with a dry cloth or a damp cloth.

Please do not expose the product to strong sunlight, and keep away from sharp objects to avoid damage.

### Warnings

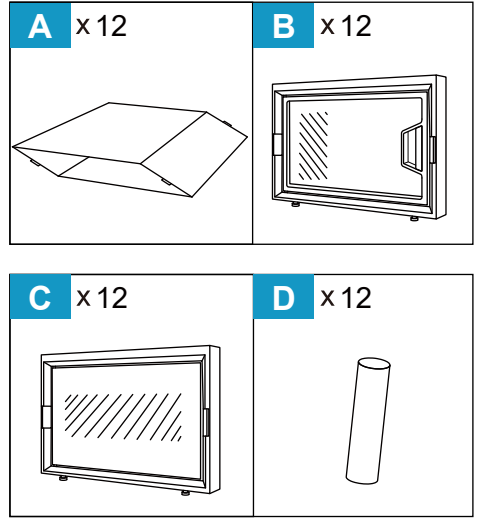
Please do not use the product before finishing the installation.

Do not modify this product or use alternative accessories. This product shall not be used for any purpose other than function of the product.

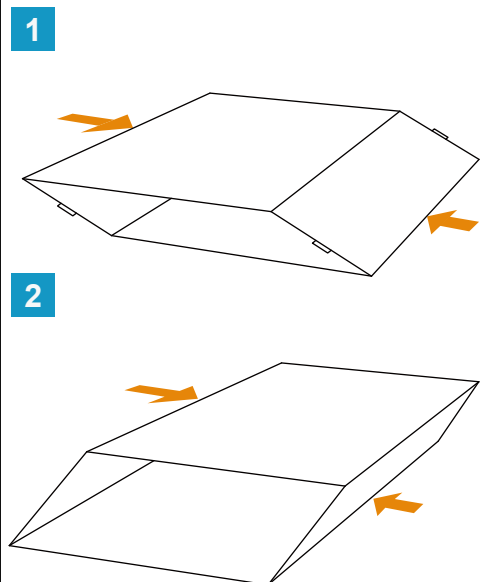
### Customer Service

If any questions, please contact our customer service team through the corresponding purchase platform.

## PART LIST

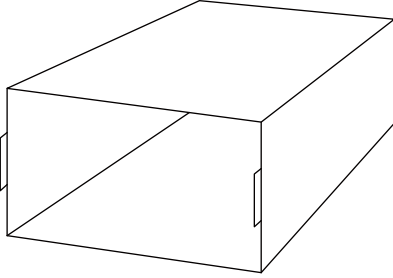


## INSTALLATION STEPS

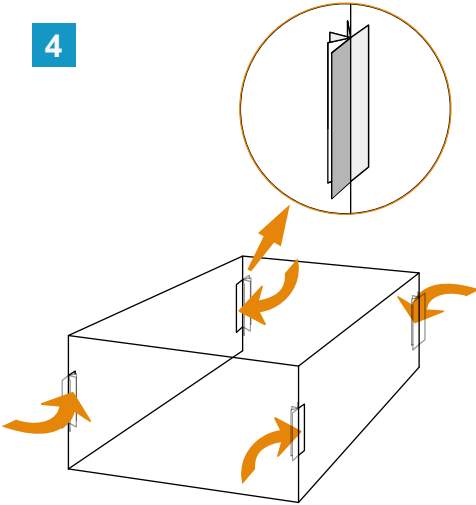


INSTALLATION STEPS

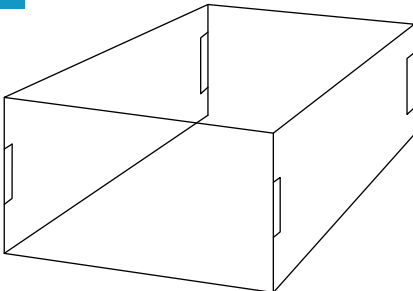
3



4

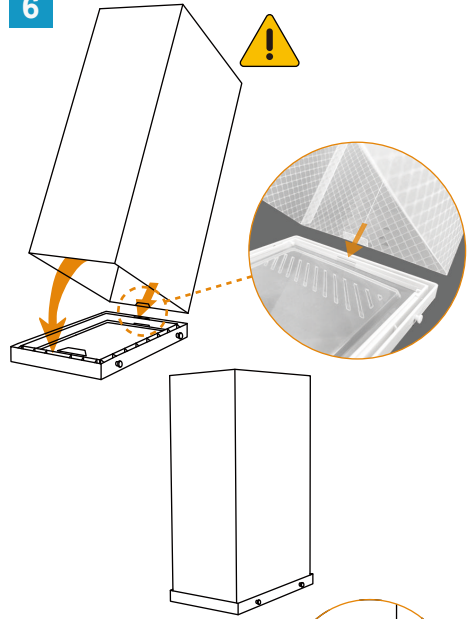


5



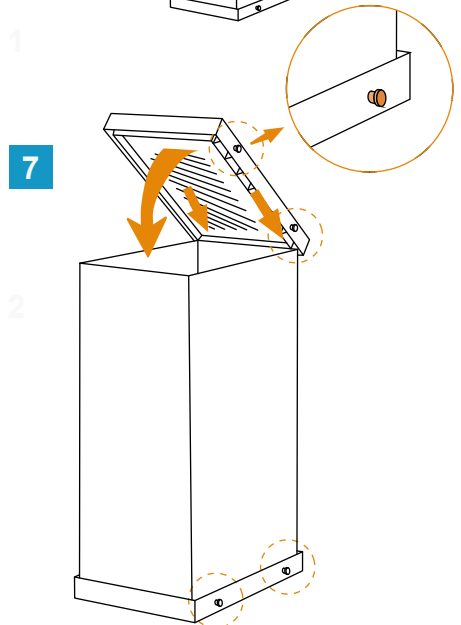
INSTALLATION STEPS

6



1

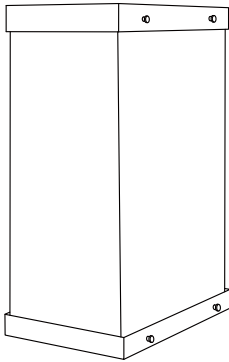
7



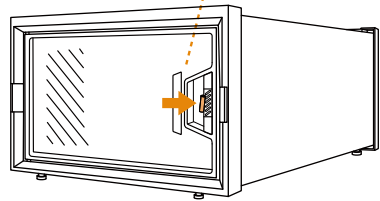
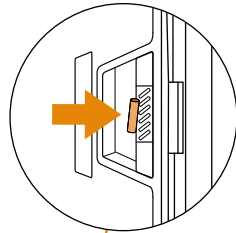
2

## INSTALLATION STEPS

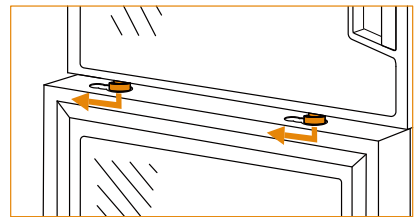
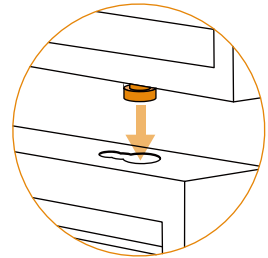
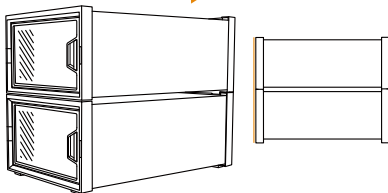
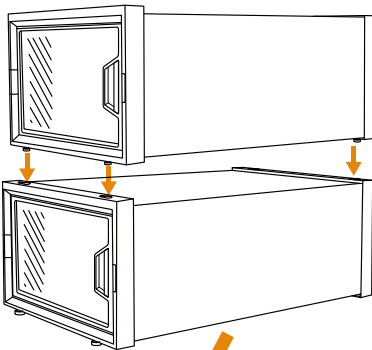
8



9



10



## CARING FOR THE ENVIRONMENT



Power tools that are no longer usable should not be disposed of with household waste, but in an environmentally friendly way. Please recycle where facilities exist. Check with your local council authority for recycling advice.



Recycling packaging reduces the need for landfill and raw materials. Reuse of recycled material decreases pollution in the environment. Please recycle packaging where facilities exist. Check with your local council authority for recycling advice.

# WARRANTY POLICY

## 12-Month Standard Warranty

We are committed to ensuring the quality and reliability of our products. All TOPEX items come with a standard 12-month warranty from the date of purchase, covering defects in materials and workmanship.



## What Our Warranty Covers

- Material and manufacturing defects under normal use
- Repair or replacement of defective products at our discretion

## Exclusions

- Normal wear and tear
- Damage caused by misuse or unauthorized modifications
- Incidental or consequential damages

## How to Claim

To make a warranty claim, please scan the QR code below and complete the online form with your proof of purchase and a description of the issue. We may require the product to be returned for inspection.



## Warranty Extension

For added peace of mind, you can extend your warranty by an additional year by joining the STELIVE community (batteries and chargers do not apply).

# JOIN US